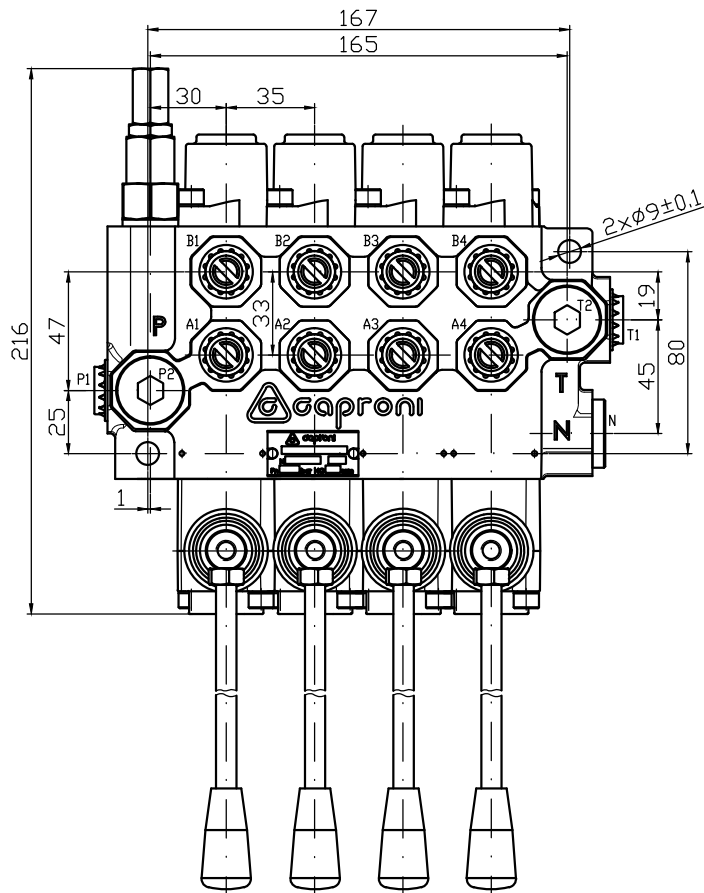
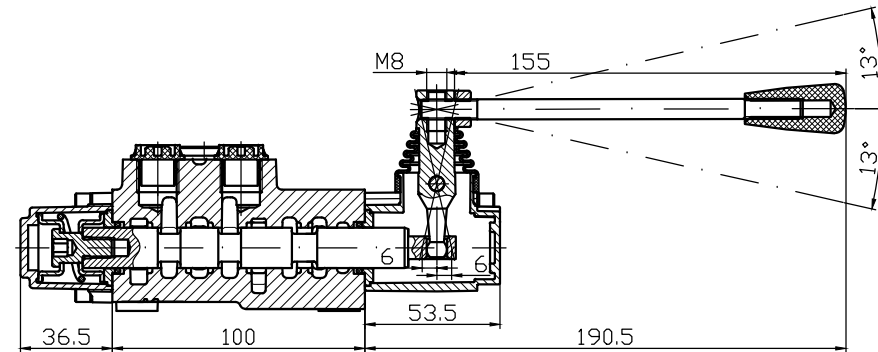
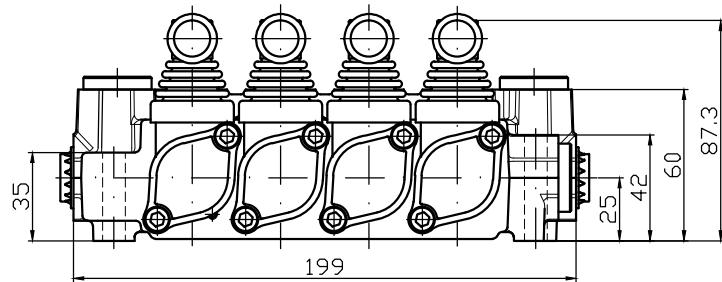
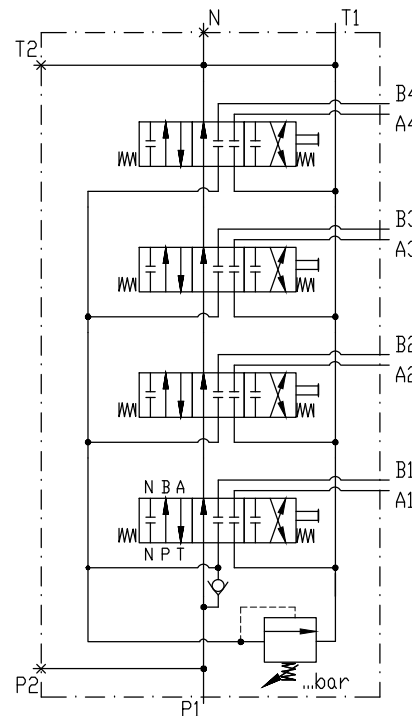




Monoblock Directional Control Valve RM40P/04-0001G  
 RM40P/04/Q/4x/1CLA1/R/P1T1/G/N



Scheme



- Nominal flow – 40 l/min
- Max. pressure – P=250 bar; A,B=300bar; T=50bar
- Pressure control valve setting range – 5...250bar
- Spool working stroke – ±6 mm
- Spool leakage at p=120 bar, t=40°C and viscosity 46cSt – max 8cm<sup>3</sup>/min, max 2cm<sup>3</sup>/min (special version)
- Weight – 7.3 kg
- Port threads:  
 P1, P2, T1, T2, N – G1/2  
 A, B – G3/8