

GENERAL DESCRIPTION

List: 62FDV06-7-Jan 2016

- ✓ 6/2- way flow diverter with manual operation
- ✓ Maximum control of hydraulic power
- ✓ Reliability and long life

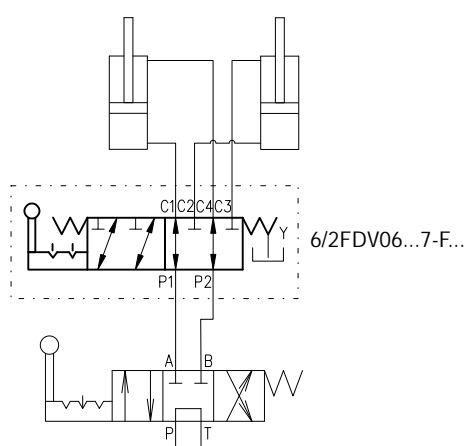


	Symbol	Intermediate	Drainage
11A			code "Y"- with drainage
12A			code "Y"- with drainage

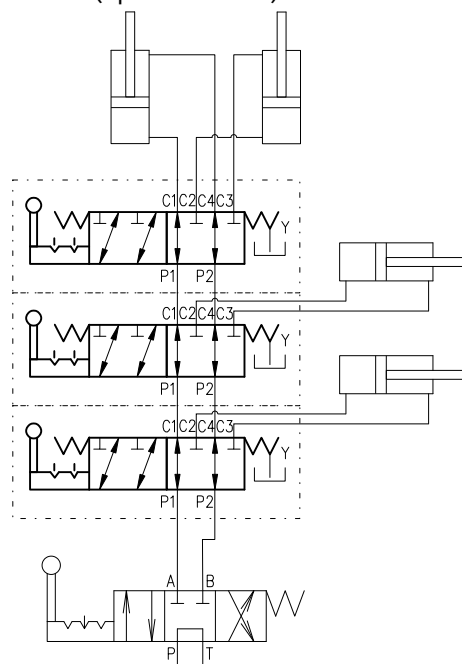
The 6/2FDV06-7... valve is manual operated flow diverter valve. It is often used to control the direction of flow for two or more double acting cylinders as shown in the connecting examples.

CONNECTING EXAMPLES

single connection
(one valve)



stackable connection
(up to 5 valves)



ORDERING CODE

6/2 FDV 06 ... 7 - F Y

6-way , 2-position

Flow diverter

Nominal size - NG6

Functional symbol: 11A
12A

Type of control: - manual

Modification

 Detent: without detent - Omit
with detent - D

External drainage:

Y - with drainage

Connection threads:

G38 - G3/8"

G12 - G1/2"

Climatic executions:

N - normal

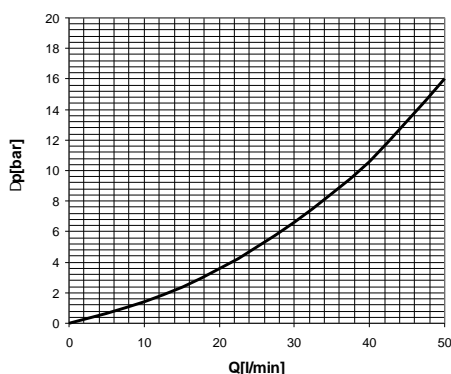
T - tropical

TECHNICAL DATA
GENERAL
DATA
UNIT
VALUE/RANGE

DATA	UNIT	VALUE/RANGE
Installation position		optional
Max. ambient temperature	°C	-20...+50
Weight	kg	3,100
Lever angular movemet	°	32

HYDRAULIC

Max. pressure	port P , A & B	MPa	22
Rated flow		l/min	50
Hydraulic fluid-mineral oil:			
-viscosity		mm ² /s	10...800
-filtration degree		mm	0.025
-temperature		°C	-20...80

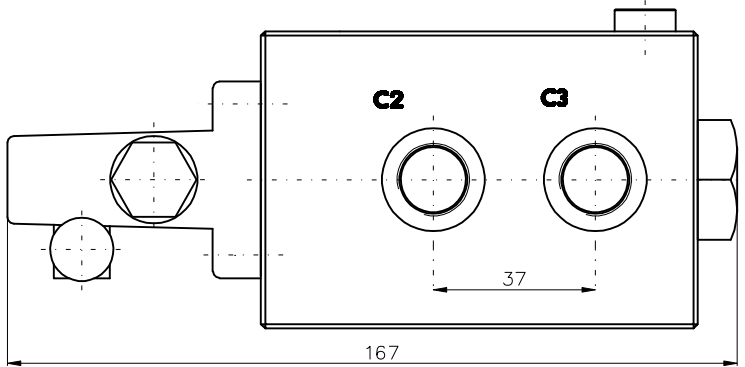
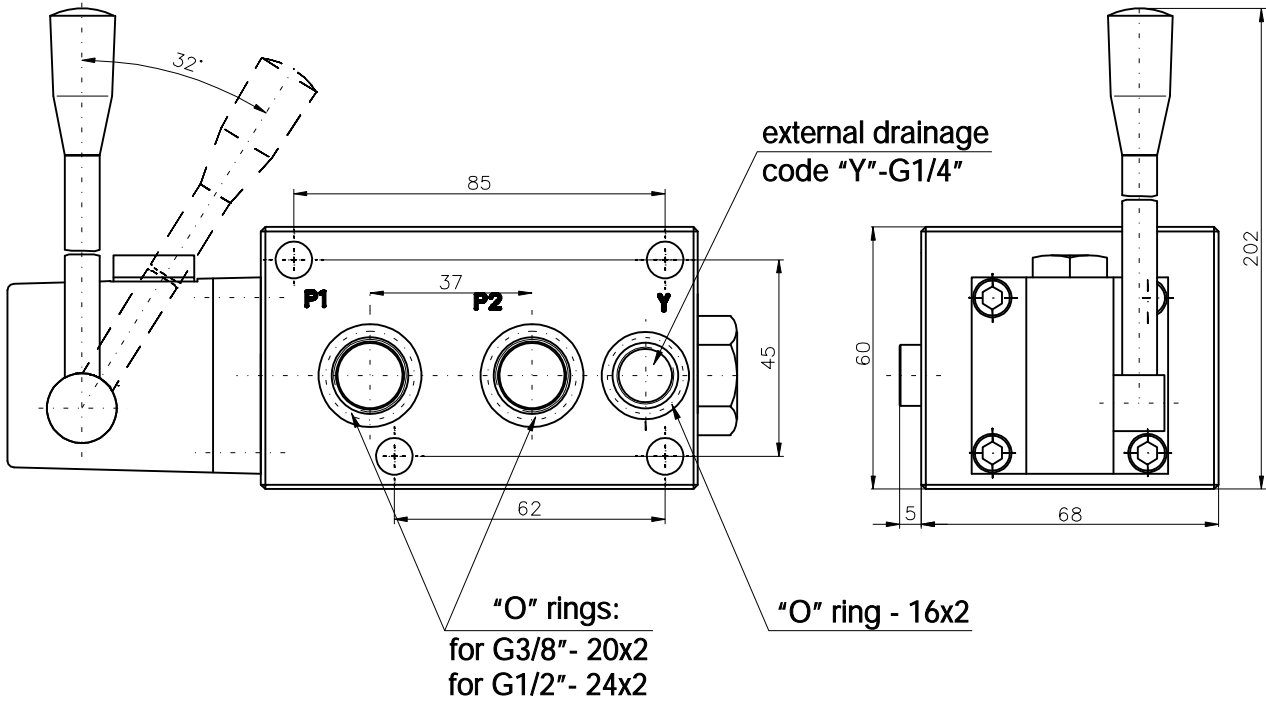
CHARACTERISTICS


For all directions:
 P1>C1 , P1>C2 , P2>C4 , P2>C3
 32cSt oil at 50°C

DIMENSIONS

All dimensions are shown in mm.

6/2FDV06...7-F...Y



Always connect "Y" to the tank.

