

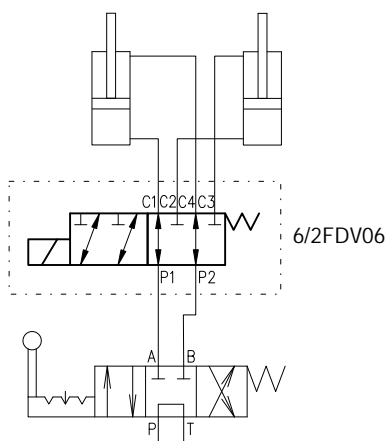
**GENERAL DESCRIPTION**

List: 62FDV06-1-Oct 2015

- ✓ 6/2- way flow diverter with solenoid operation
- ✓ Removable DC voltage coils-quick replacement and rotation in any direction without leakage from the system
- ✓ Wet pin core tubes
- ✓ Manual override option (push button)
- ✓ Maximum control of hydraulic power
- ✓ Reliability and long life



Connecting example



|     | Symbol | Intermediate | Drainage                |
|-----|--------|--------------|-------------------------|
| 11A |        |              | code "Y"- with drainage |
| 12A |        |              | code "Y"- with drainage |
| 11A |        |              | without drainage        |
| 12A |        |              | without drainage        |

The 6/2FDV06... valve is solenoid operated flow diverter valve. It is often used to control the direction of flow with two double acting cylinders as shown in the connecting example.

In case of problem with the electrical supply , an option for manual override is provided.

**ORDERING CODE**

6/2 FDV 06 ... 1 - .../... F

6-way , 2-position

Flow diverter

Nominal size - NG6

Functional symbol: **11A**  
**12A**

Type of control: -electrical

Supply voltage/current frequency: **12V DC - 012/00**  
**24V DC - 024/00**

Modification

Connectors:

- without connector - **C1**
- standard connector - **C2**
- connector with light indicator - **C3**

External drainage:

omit - without drainage  
Y - with drainage

Connection threads:

**G38** - G3/8"  
**M18** - M18x1,5

Climatic executions:

**N** - normal  
**T** - tropical

**TECHNICAL DATA**
**GENERAL**

| DATA                     | UNIT | VALUE/RANGE |
|--------------------------|------|-------------|
| Installation position    |      | optional    |
| Max. ambient temperature | °C   | -20...+50   |
| Weight                   | kg   | 3,300       |

**HYDRAULIC**

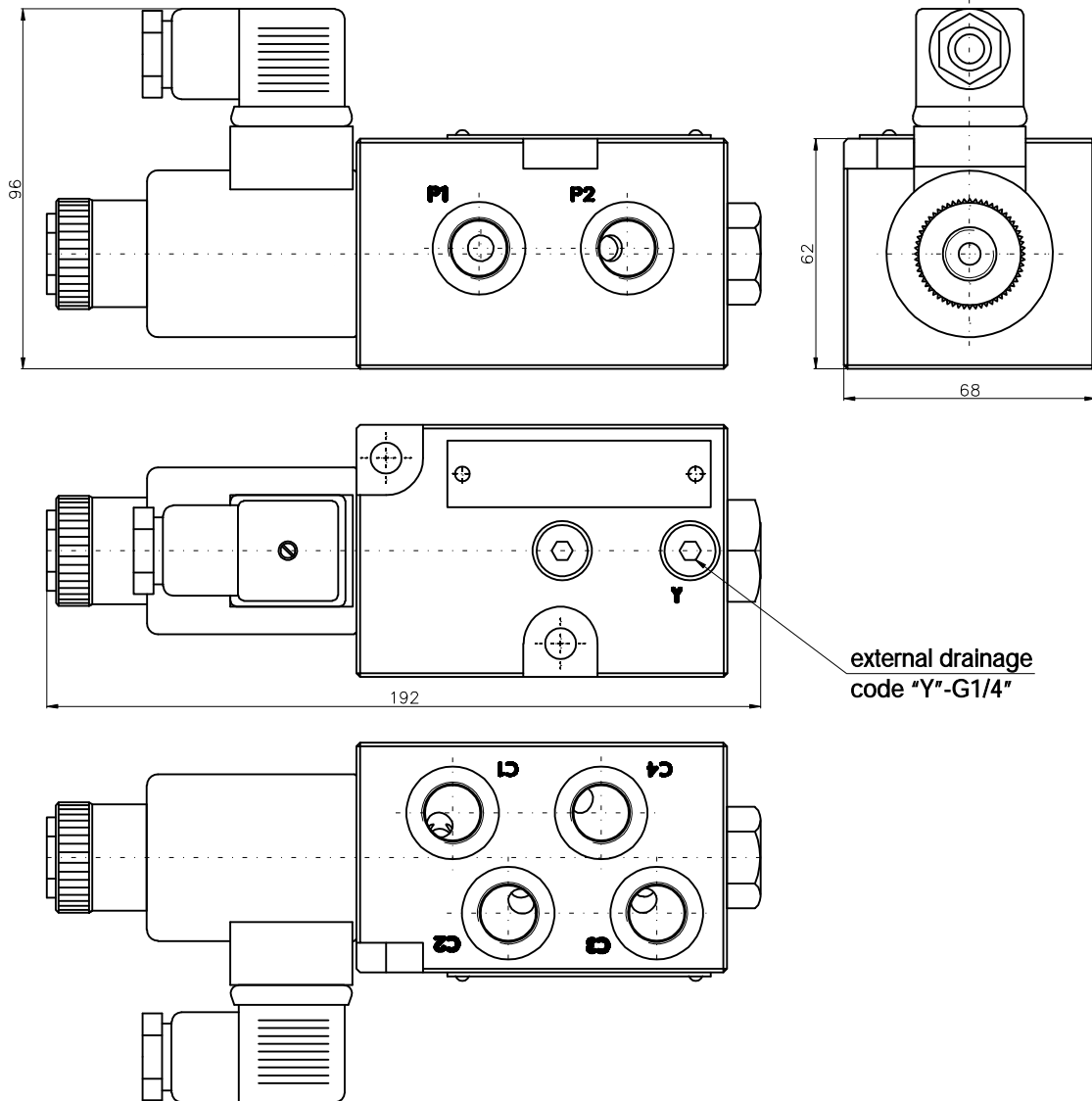
|                                  |                    |            |
|----------------------------------|--------------------|------------|
| Max. pressure:                   | MPa                | 31,5<br>21 |
| with drainage                    |                    |            |
| without drainage                 |                    |            |
| Rated flow - see characteristics |                    |            |
| Hydraulic fluid-mineral oil:     |                    |            |
| -viscosity                       | mm <sup>2</sup> /s | 10...800   |
| -filtration degree               | mm                 | 0.025      |
| -temperature                     | °C                 | -20...80   |

**ELECTRICAL**

|                              |         |                |
|------------------------------|---------|----------------|
| Cyclic duration              | %       | 100            |
| Waterproof                   |         | IP65           |
| Heat insulation              |         | H              |
| Type of voltage              |         | DC             |
| Available voltage /frequency | V/Hz    | 12/00<br>24/00 |
| Voltage tolerance            | %       | ±10            |
| Current consumption          | A       | 3,1<br>1,6     |
| 12VDC                        |         |                |
| 24VDC                        |         |                |
| Max. switching frequencies   | cycle/h | 10000          |

DIMENSIONS

All dimensions are shown in mm.



CHARACTERISTICS

p/Q

Dp/Q

curve 2 - P1 to C2 to C3 to P2 & P2 to C3 to C2 to P1  
 curve 1 - P1 to C1 to C4 to P2 & P2 to C4 to C1 to P1  
 32cSt oil at 50°C

For all directions  
 32cSt oil at 50°C

