

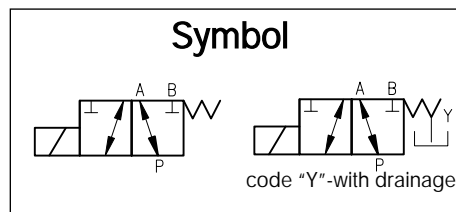
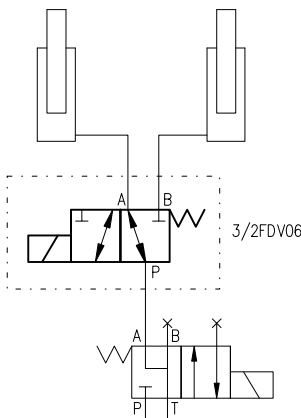
GENERAL DESCRIPTION

List: 32FDV06-1-Oct 2015

- ✓ 3/2- way flow diverter with solenoid operation
- ✓ Removable DC voltage coils-quick replacement and rotation in any direction without leakage from the system
- ✓ Wet pin core tubes
- ✓ Manual override option (push button)
- ✓ Maximum control of hydraulic power
- ✓ Reliability and long life



Connecting example



The 3/2FDV06... valve is solenoid operated flow diverter valve. It is often used to control the direction of flow with two single acting cylinders as shown in the connecting example.

In case of problem with the electric supply , an option for manual override is provided.

ORDERING CODE

3/2 FDV 06 1A 1 - .../... F

3-way , 2-position

Flow diverter

Nominal size - NG6

Functional symbol

Type of control: -electrical

Supply voltage/current frequency: 12V DC - 012/00  
24V DC - 024/00

Modification

External drainage:

omit - without drainage  
Y - with drainage

Connection threads:

G38 - G3/8"

G12 - G1/2"

Climatic executions:

N - normal

T - tropical

Connectors:

C1 - without connector

C2 - standard connector

C3 - connector with light indicator

**TECHNICAL DATA**
**GENERAL**

DATA	UNIT	VALUE/RANGE
Installation position		optional
Max. ambient temperature	°C	-20...+50
Weight	kg	1,700

**HYDRAULIC**

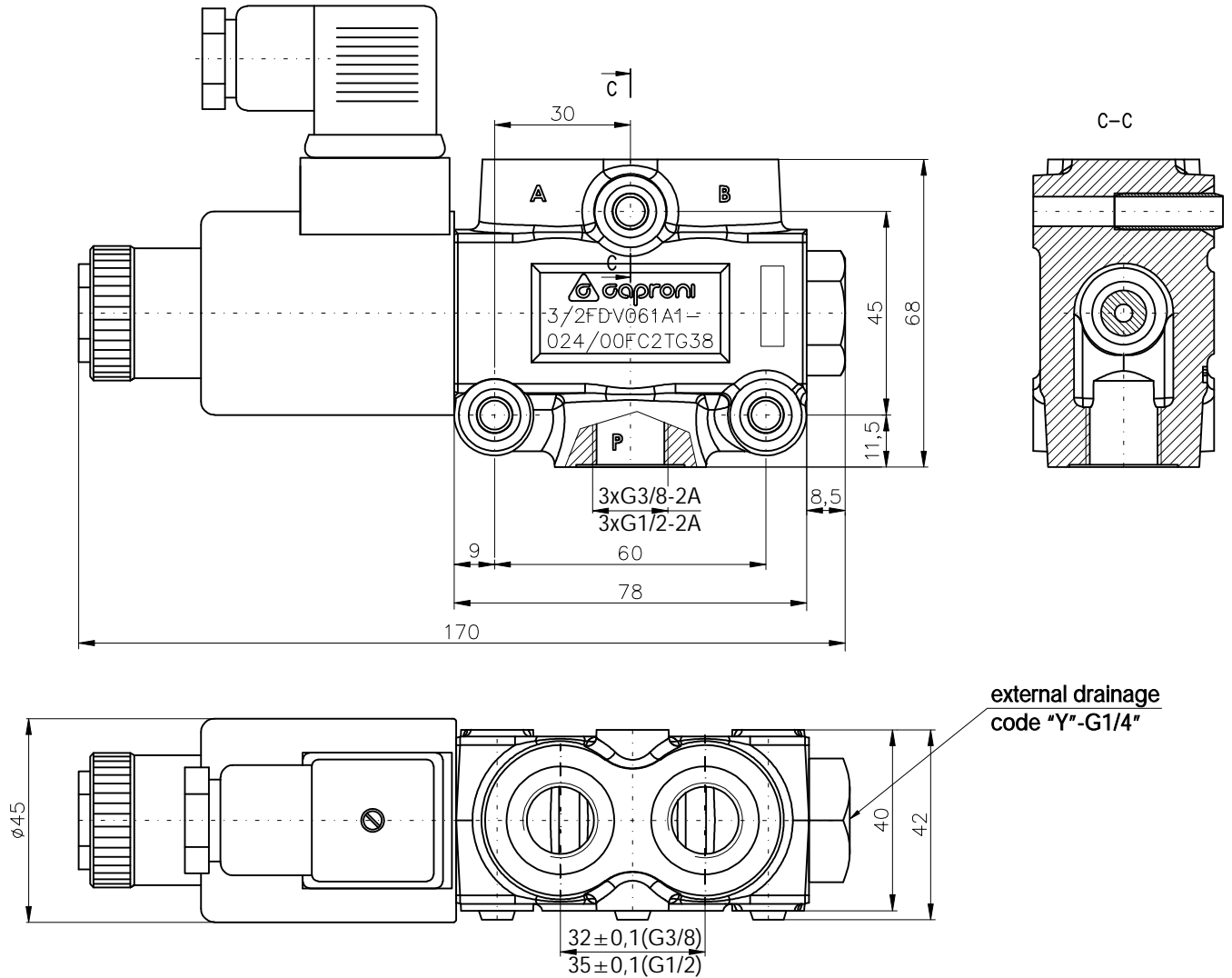
Max. pressure	port P , A & B	MPa	21
Rated flow - see characteristics			
Hydraulic fluid-mineral oil:			
-viscosity		mm <sup>2</sup> /s	10...800
-filtration degree		mm	0.025
-temperature		°C	-20...80

**ELECTRICAL**

Cyclic duration		%	100
Waterproof			IP65
Heat insulation			H
Type of voltage			DC
Available voltage /frequency		V/Hz	12/00 24/00
Voltage tolerance		%	±10
Current consumption	12VDC 24VDC	A	3,1 1,6
Max. switching frequencies		cycle/h	10000

DIMENSIONS

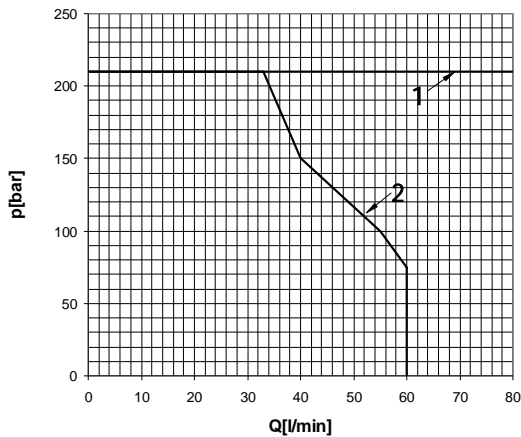
All dimensions are shown in mm.



CHARACTERISTICS

p/Q

curve 2 - P to A and P to B  
curve 1 - A to P and B to P  
32cSt oil at 50°C



Dp/Q

P to A , P to B , A to P and B to P  
32cSt oil at 50°C

