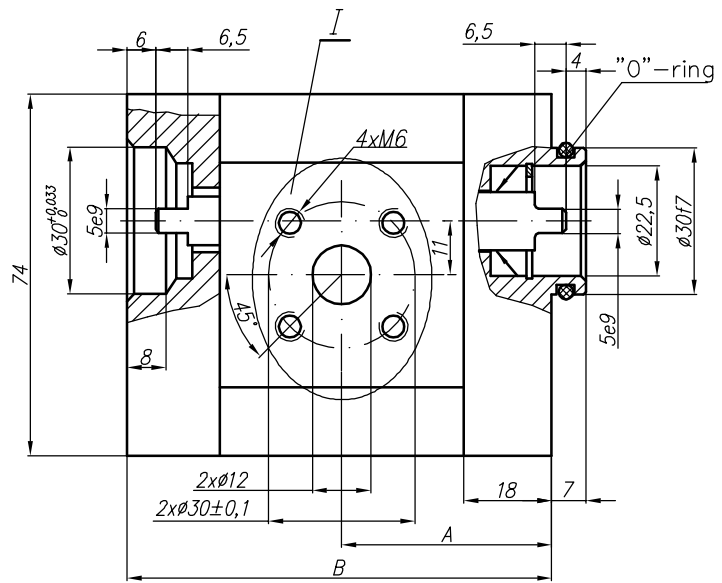
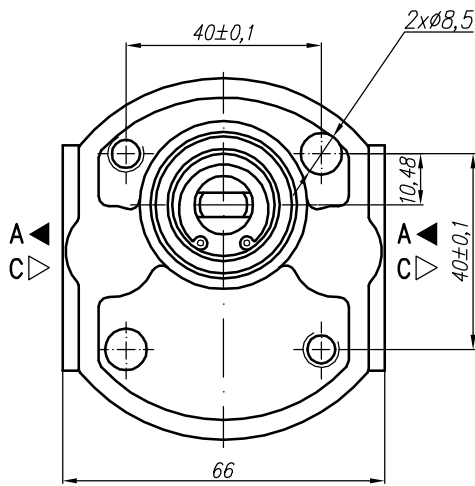


The pump 10A(C)...X594 is a middle section of a multiple pump gr. 111.

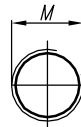


I – variants

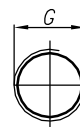
Variants:

- ...X594 - Normal version (flange);
- ...X594M - for M ports (see the picture I and the table below);
- ...X594G - for G ports (see the picture I and the table below);
- ...X594U - for U ports (see the picture I and the table below).

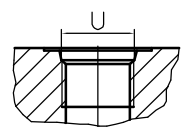
Variant M



Variant G



Variant U (SAEJ475 (ISO R725))



Type	Displacement cm ³ /rev	Flow		Pressure P _{nom} bar	max Speed n rpm	Dimension							
		at 1500 rpm l/min	at max rpm l/min			A mm	B mm	Inlet			Outlet		
								M	G	U	M	G	U
10A(C)1X594	1	1,40	3,26	250	3500	39,1	79						
10A(C)1,25X594	1,25	1,74	4,07	250	3500	39,5	80						
10A(C)1,6X594	1,6	2,23	5,21	250	3500	40,3	81,6						
10A(C)2X594	2	2,82	6,58	250	3500	41,1	83,2						
10A(C)2,5X594	2,5	3,53	8,23	250	3500	42,1	85,2						
* 10A(C)2,65X594	2,65	3,74	8,72	250	3500	42,4	85,8						
10A(C)3,15X594	3,15	4,44	10,36	250	3500	43,5	87,8						
10A(C)3,65X594	3,65	5,15	12,01	250	3500	44,4	89,9						
10A(C)4,2X594	4,2	5,92	13,82	250	3500	45,5	92,1						
* 10A(C)4,7X594	4,7	6,63	15,46	250	3500	46,1	94						
10A(C)5X594	5	7,05	14,10	250	3000	47,1	95,2						
10A(C)5,7X594	5,7	8,12	16,25	200	3000	48,5	98,1						
10A(C)6,1X594	6,1	8,69	14,49	200	2500	49,4	99,8						
10A(C)7,4X594	7,4	10,55	17,58	180	2500	52,1	105,2						
* 10A(C)8X594	8	11,40	15,20	150	2000	53,4	107,7						
10A(C)8,5X594	8,5	12,11	16,15	150	2000	54,4	109,7						
10A(C)9,8X594	9,8	13,97	18,62	120	2000	57	115						

* - These pumps - only under a special order