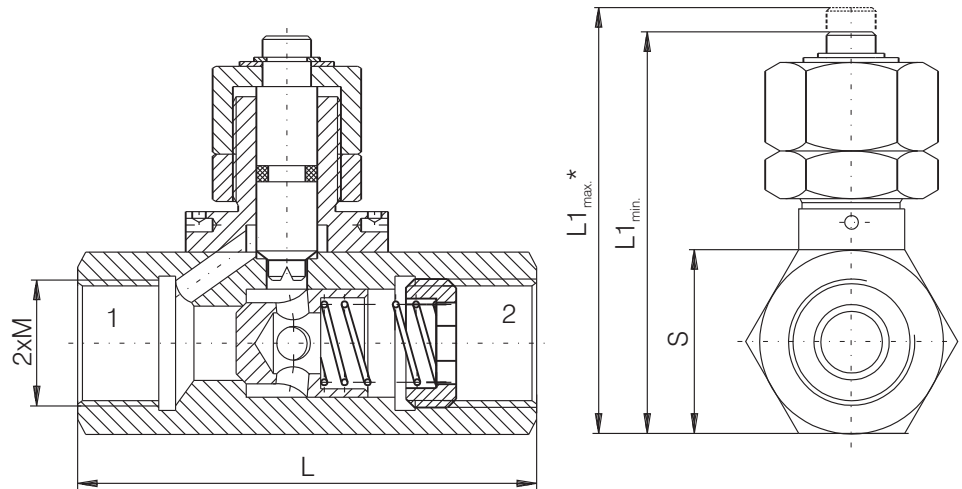


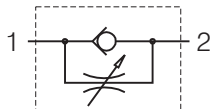
DESCRIPTION

- ✓ Adjustable throttles with check valves for pipe mounting-DROK...T/25
- ✓ The throttle check valves limit flow by adjustable throttling spool at one direction , and allow free return passing on the other.

DIMENSIONS


Type	L	L1 _{min}	S	M	L1 _{max}
DROK12T/25	68	59,8	27	18x1,5	64,8
DROK16T/25	82	62,8	30	22x1,5	67,8
DROK20T/25	92	68,8	36	27x1,5	73,8

* When adjusting do not exceed L1_{max} !

SYMBOL

ORDERING CODE

DROK *** T / 25

Adjustable throttle with check valve

Nominal bore: 12mm - 12
16mm - 16
20mm - 20

Pipe mounting

Rated pressure: up to 250 bar.-25

TECHNICAL DATA

Max. Pressure		250 bar
Rated flow ($\Delta p=2,5$ bar.)	DROK12T/25	25 l/min
	DROK16T/25	40 l/min
	DROK20T/25	63 l/min
Cracking pressure (for check valve)		0,3 bar
Working liquid-hydraulic oils with characteristics:		
-viscosity		10...400 cSt
-degree of filtration		0,025 mm
-temperature		-20...+80°C